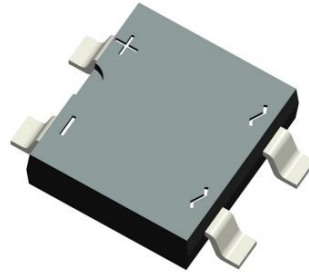


# DB-S Packing information

B081, Rev. -

## 1. Finish Goods PKG photo



## 2. Packing method



Label

Reel



Label



Outer box

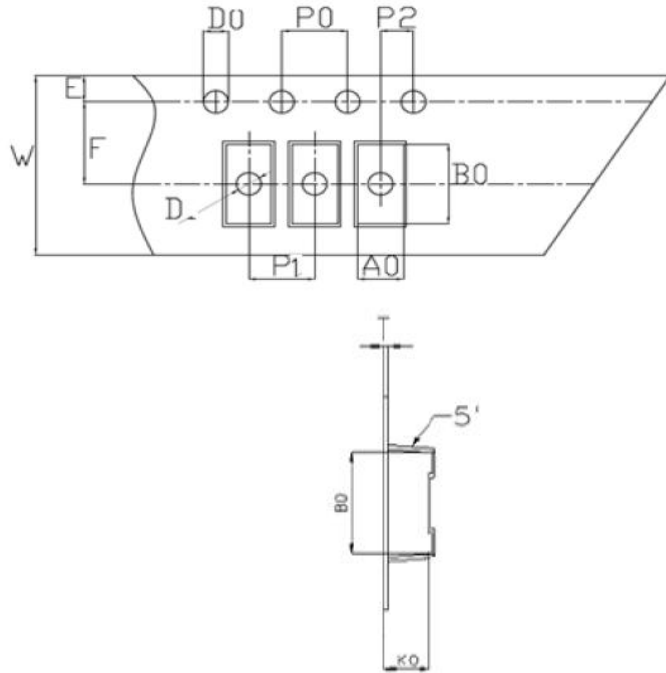
Fig.1- Reel pack for DB-S

Table 1. Packing information

Package version	Reel dimensions $\phi$ (mm)	Pcs/reel (pcs)	Per reel weight (Kg)	Reels Inner box	Inner box weight (Kg)	Inner box per outer box	Outer box weight (Kg)
DB-S	$\phi$ 330*21	1500	0.822	2	1.83	8	16

B081, Rev. -

3. Carrier tape dimensions



Symbol	DB-S
A0	8.80±0.15
B0	10.41±0.1
D0	1.5+0.10
D1	1.55±0.05
P0	4.0±0.1
P1	12.0±0.1
P2	2±0.1
E	1.75±0.1
K0	3.30±0.1
F	7.5±0.1
W	16±0.3
T	0.35±0.05
10P0	40.00±0.2
抗拉拉力	≥3KG

Fig 3. Carrier tape dimensions

5. Reel dimensions

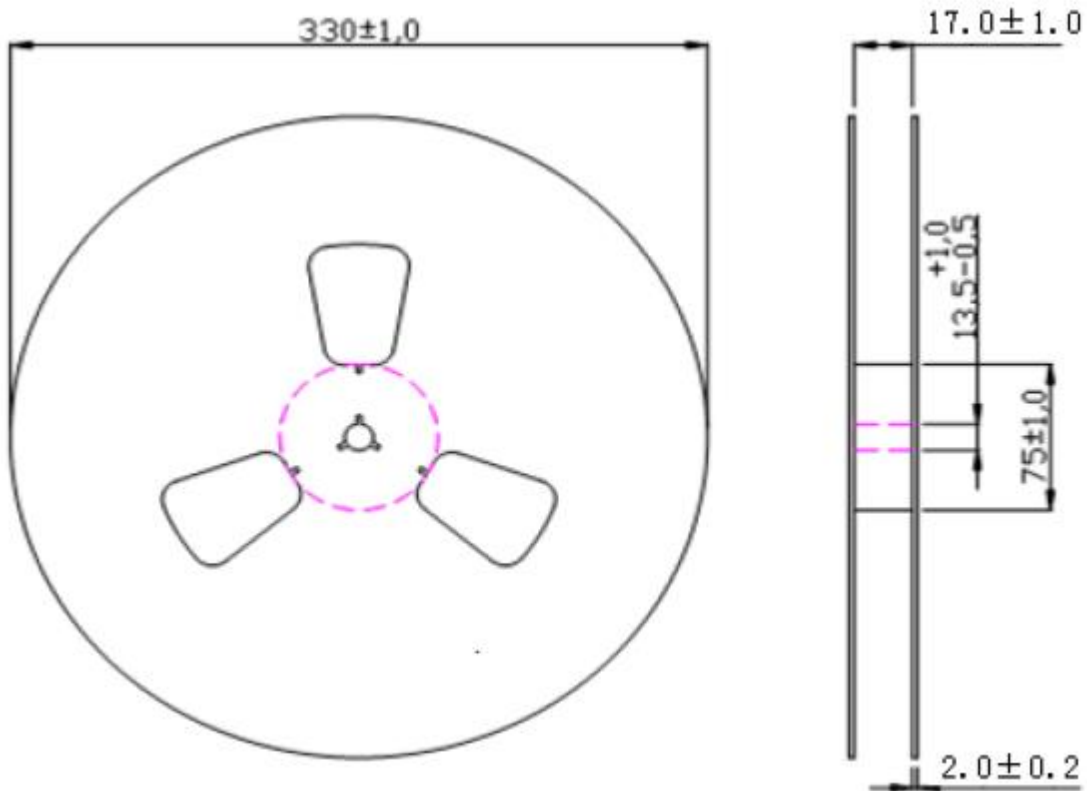


Fig 4. Reel dimensions